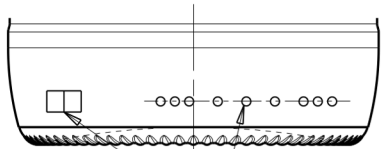
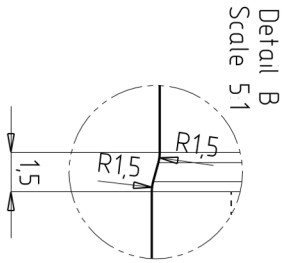
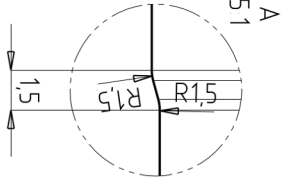
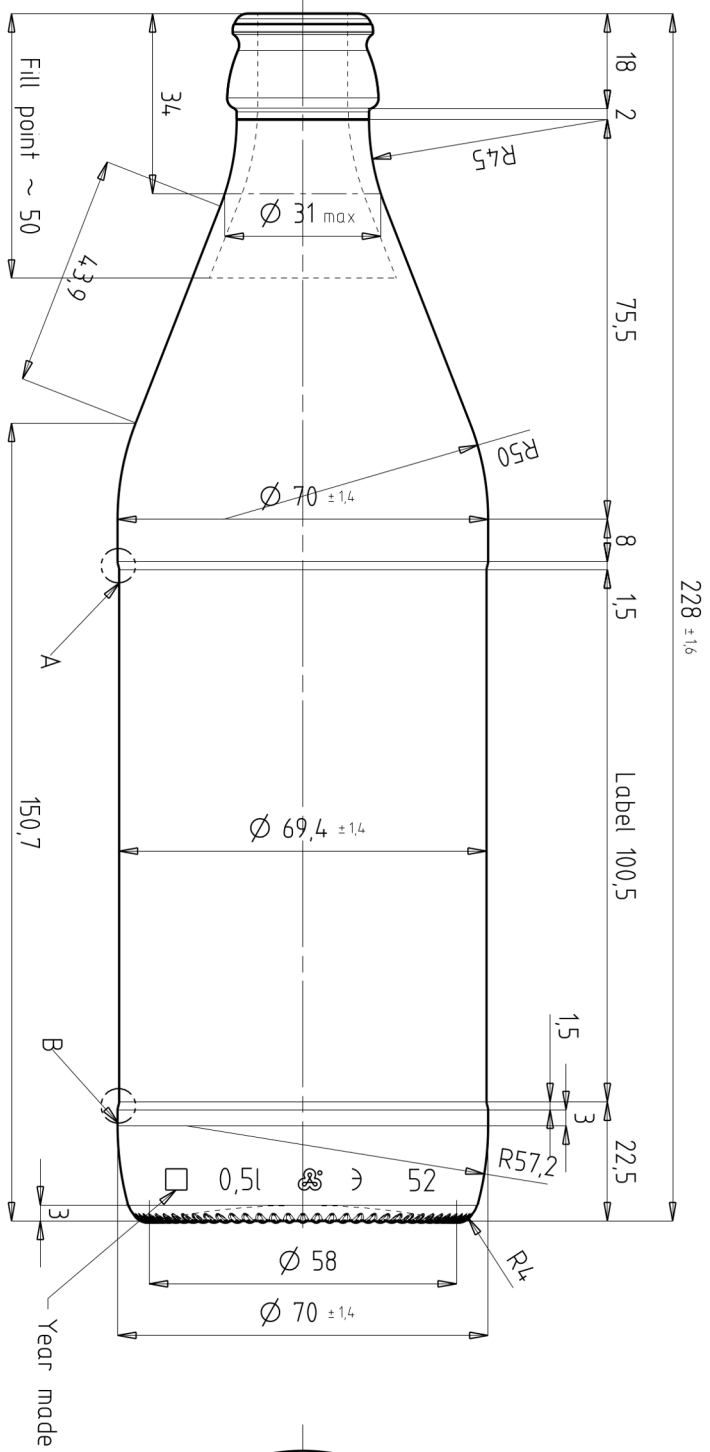
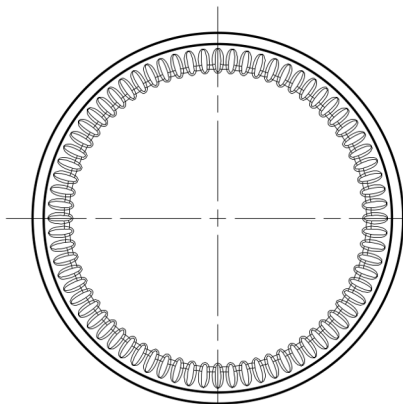


Finish  
Kronkork A-26  
GME 13 01, DIN 6094-1



Mould number + Dot code



Bottom view

# Euro bier 500