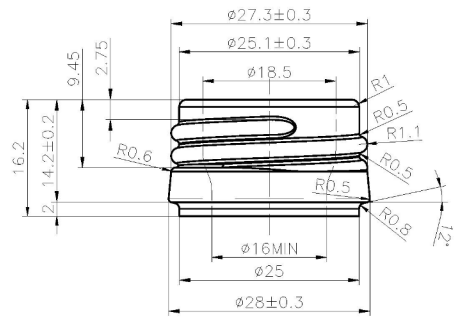


### FINISH DETAIL

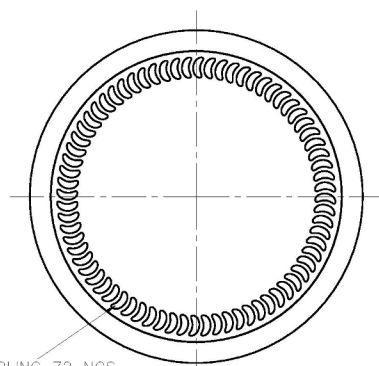
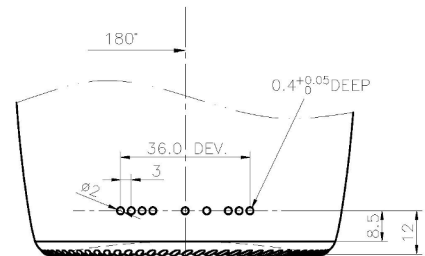
Scale 2:1



PITCH=3.175  
 CUTTER DIA.=Ø12.5

### CONTROL SIZES:

- 325±2.0
- Ø95.4±1.7
- Ø28.0±0.3
- Ø27.3±0.3
- Ø25.1±0.3
- Ø16min
- 14.2±0.2



KNURLING 72 NOS.  
 5.65 LONG 2.0 WIDE  
 0.5DEEP

BOTTOM VIEW

# Mineral 1000