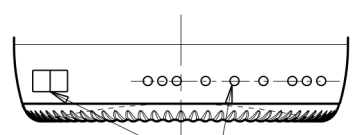
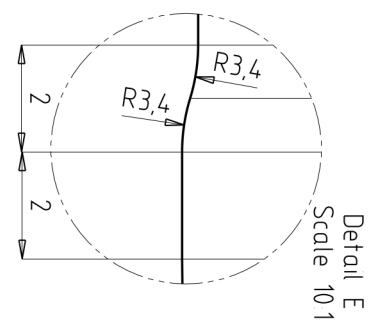
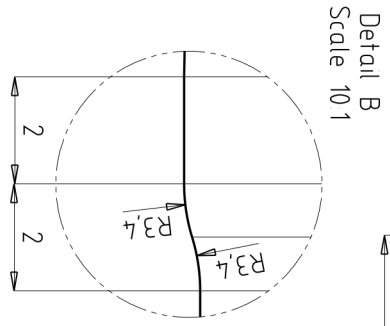
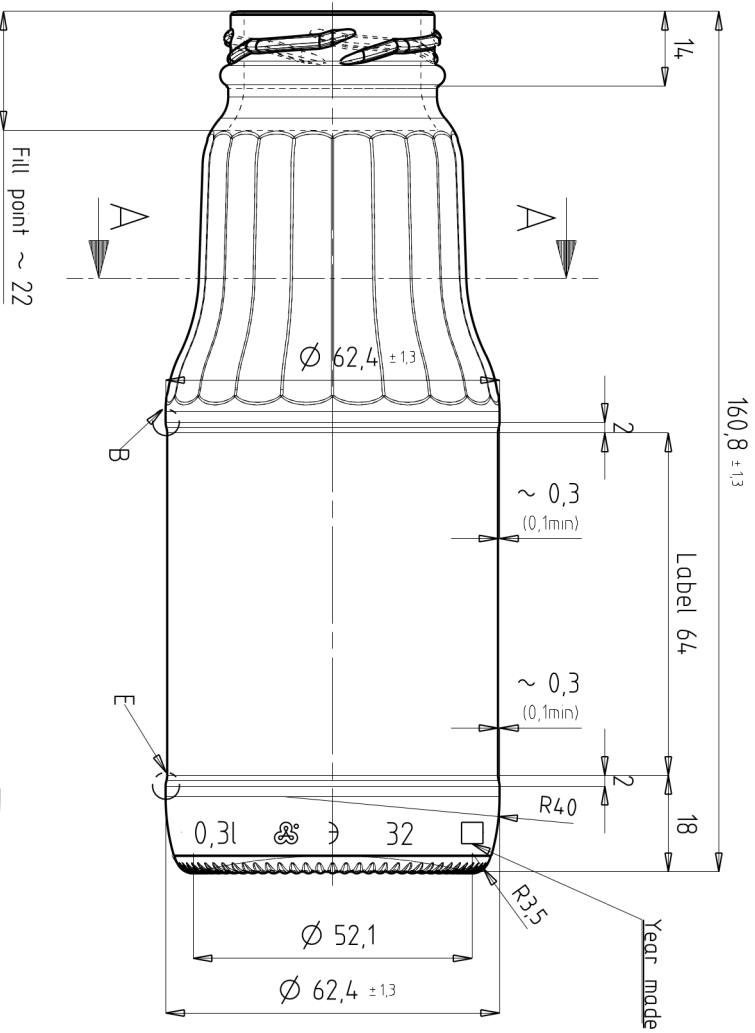
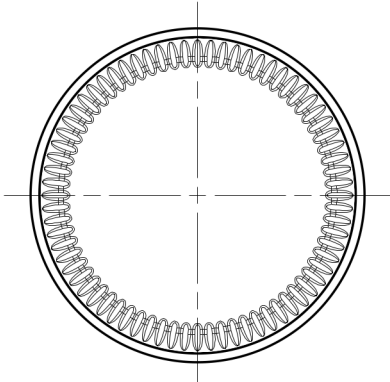
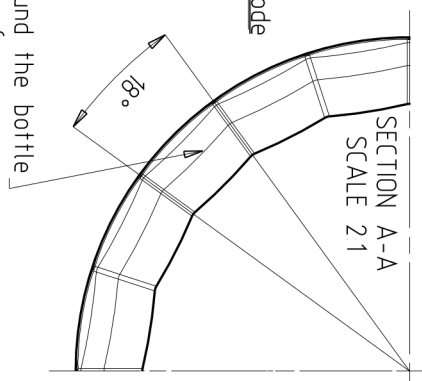


Finish
 Twist-Off 43 mm
 GME 20-03 (FD157A)



Mould number + Dot code

20 x round the bottle circumference



Bottom view

Fruct 300