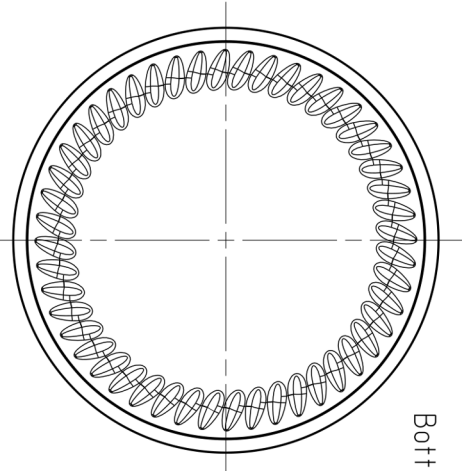
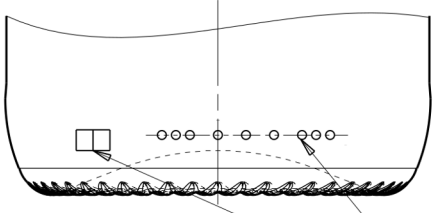
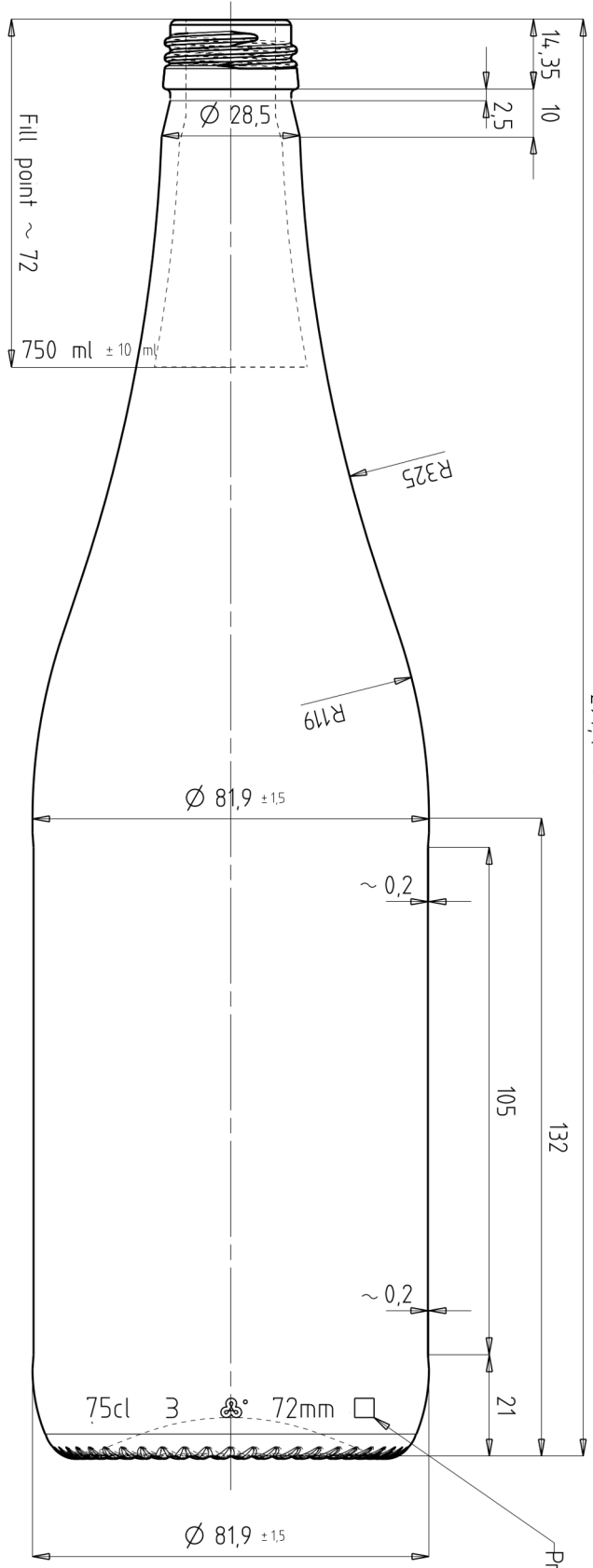


Finish  
Schraub-Mdg 8G  
DIN 6094-14



Bottom view



Mould number +  
Dot code

Production year

**MOLS 750**