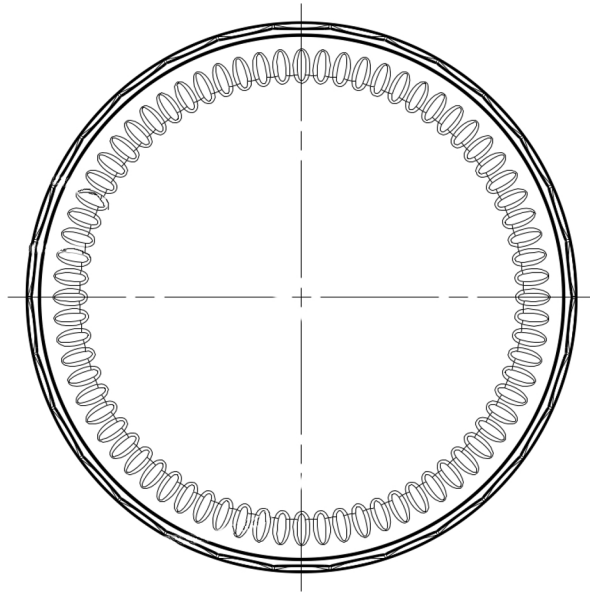
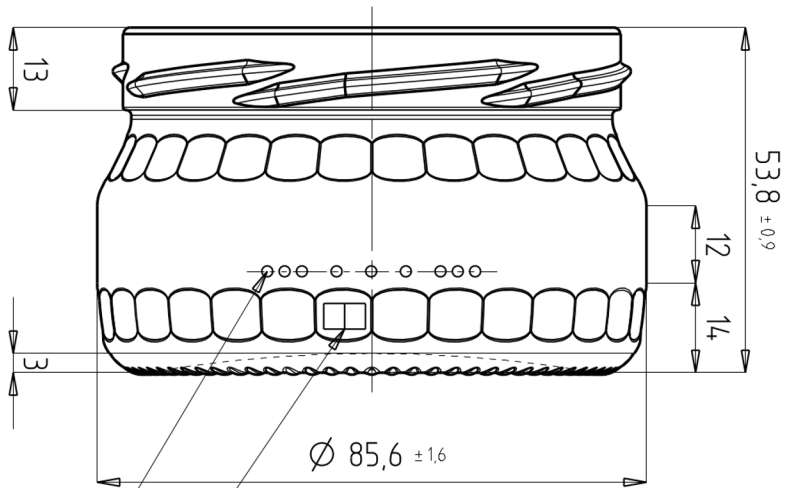
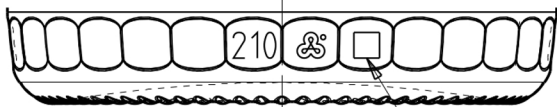


Bottom view



Finish
Twist-Off 82 mm Regular
EN ISO 9100-11

Back view



Year made

Dot code

Mould number

Faceta 210