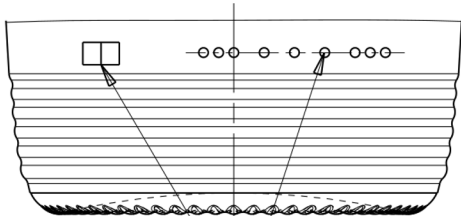
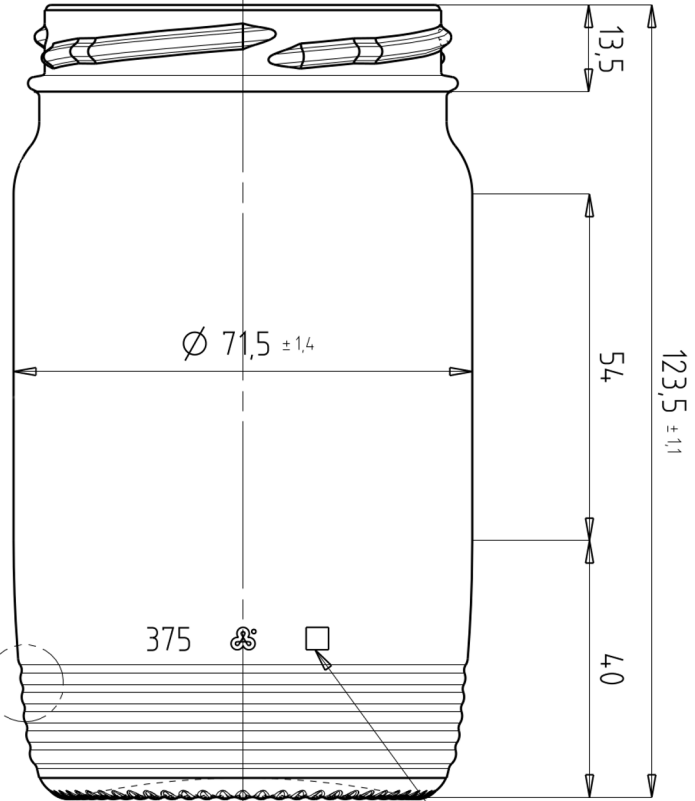
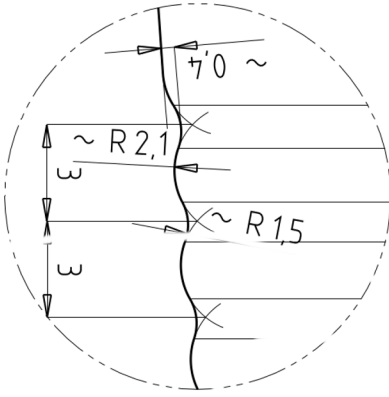


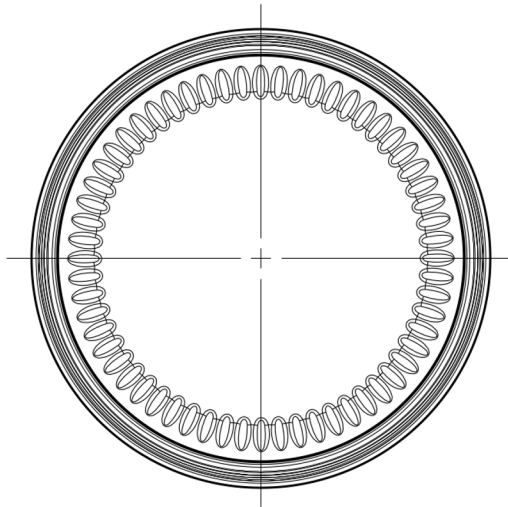
FINISH
Twist Off 66mm Regular
EN ISO 9100-8

DETAIL C
SCALE 5:1



Mould number + Dot code

Production year



Bottom view

Subra 375